

🔍 Growatt New Energy

ARK High Voltage Battery System


User Manual (V1.0)

Skymax GmbH
T +43 1 970 22 14
E office@skymax.at
W www.skymax.at

Contents

About this Document

This document describes the installation, electrical connection, operation, commission, maintenance and troubleshooting of ARK High Voltage Battery System. Before installing and operating ARK High Voltage Battery System, ensure that you are familiar with product features, functions, and safety precautions provided in this document.

| Symbol | Description |
|--|---|
|  WARNING | Indicates a potentially hazardous situation, if not avoided, could result in serious injury or death. |

1 Product Overview

- 1.1 Intended Use
- 1.2 Appearance
- 1.3 Working Principle and Function

2 Safety

- 2.1 Basic security
- 2.2 Safety Precautions
- 2.3 Warning Labels
- 2.4 Emergency Responses

3 Storage and Transportation

- 3.1 Storage Requirements
- 3.2 Transportation Requirement

4 Installation

- 4.1 Basic Installation Requirements
- 4.2 Installation Required Tools
- 4.3 Installation Procedures
- 4.4 Electrical Connection

5 Power on/off Battery system

- 5.1 Power on Battery system
- 5.2 Power off battery system

6 Maintenance Guide

- 6.1 Preparation
- 6.2 Battery pack or high voltage controller replacement
- 6.3 System fault information and suggestions

7 Technical Specifications

- 7.1 System Data
- 7.2 Battery System designation
- 7.3 HVC 60050-A1
- 7.4 ARK 2.5H-A1

Appendix I

Appendix II

1 Product Overview

1.1 Intended Use

The entire ARK High Voltage Battery System includes a HVC 60050-A1 (high voltage controller) and multiple ARK 2.5H-A1 (battery pack).

Each ARK 2.5H-A1 consists of 50Ah cells which form 51.2V voltage battery pack via one parallel and sixteen serial connection (1P16S). Two to ten ARK 2.5H-A1 can be connected in serial to extend the capacity and power of energy storage system.

The ARK battery system powers the loads through PCS at nighttime without solar; when solar becomes available during daytime, solar energy powers the loads as a priority and store residual solar power into the ARK battery system.

1.2 Appearance

1.2.1 HVC 60050-A1 (high voltage controller)

The high voltage controller is composed of battery control unit, DC breaker, power supply and communication terminals. The appearance of the product is shown as below.

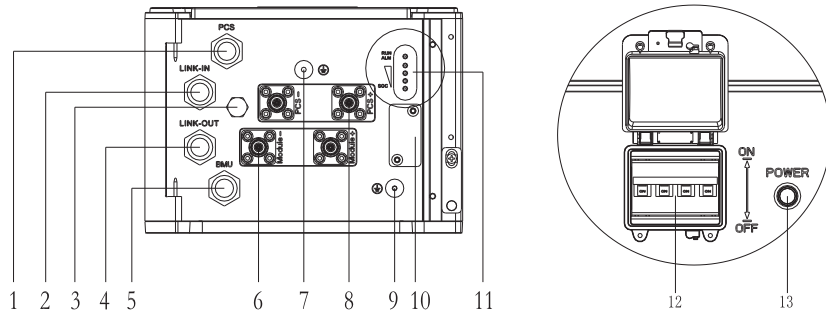


Fig 1.1: Schematic diagram of power panel

| Location | Port | Function |
|----------|-----------------------|---|
| 1 | PCS | Communication with PCS |
| 2 | Link-In | Battery system parallel communication entrance |
| 3 | Pressure relief valve | Pressures inside is released via the vent |
| 4 | Link-Out | Battery system parallel communication export |
| 5 | BMU | Communication with battery module |
| 6 | Module+ / Module- | Connect to the power terminal of the battery string |
| 7 | ⊕ | Ground terminal |
| 8 | PCS+ / PCS- | The output from battery system to the PCS |
| 9 | ⊕ | Ground terminal |
| 10 | USB interface | USB communication interface |
| 11 | LED | SOC and working status indication of the system |
| 12 | Breaker | Breaker to turn on/off the whole battery system |
| 13 | Power button | Wake up the battery system |

Dimension (unit: mm)

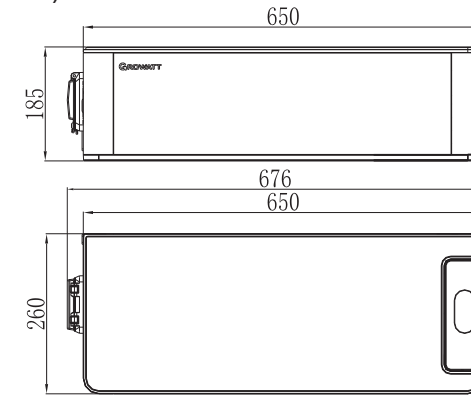


Fig 1.2: Dimension of HVC 60050-A1

1.2.2 ARK 2.5H-A1 (battery pack)

ARK 2.5H-A1 consists of battery module (including cell and mechanical parts), Battery management unit (BMU) as well as power and communication terminals. Product appearance is shown as below.

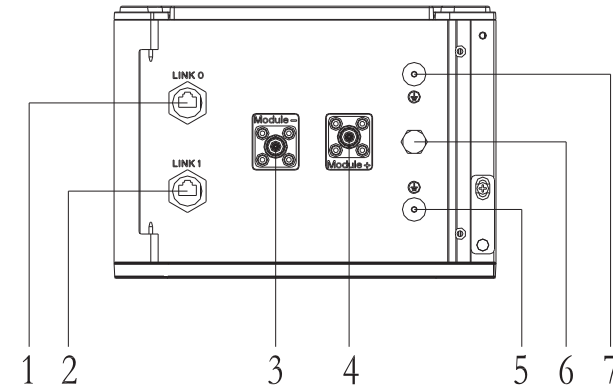


Fig 1.3: Schematic diagram of power panel

| Location | Port | Function |
|----------|-----------------------|---|
| 1 | Link0 | Communicate with the previous module Link1 |
| 2 | Link1 | Communicate with the next module Link0 |
| 3 | Module- | Connect to the positive terminal of the adjacent module |
| 4 | Module+ | Connect to the negative terminal of the adjacent module |
| 5 | ⊕ | Ground terminal |
| 6 | Pressure relief valve | Pressures inside is released via the vent |
| 7 | ⊕ | Ground terminal |

Dimension (unit: mm)

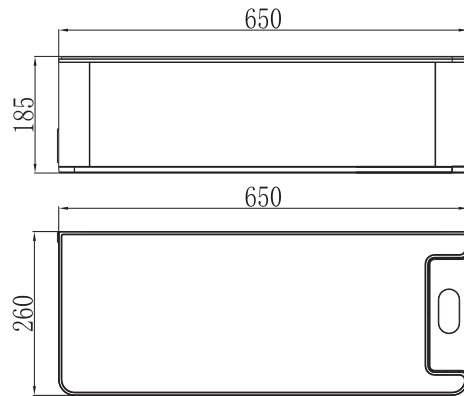


Fig 1.4: Dimension of ARK 2.5H-A1

1.3 Working Principle and Function

The ARK high voltage battery system is composed of a high voltage controller HVC 60050-A1 and battery pack ARK 2.5H-A1 in series. It contains electrochemical batteries, battery control units, battery management units, power and signal terminals, and mechanical parts.

Compared with other battery systems, it has better charging and discharging performance, higher charging and discharging efficiency, more accurate status monitor, longer cycle life and less self-discharge loss.

A single cluster system can connect 2 to 10 packs in series to increase the capacity and power of the battery system. The entire battery system communicates with the inverter through CAN communication, and the operation stability is high.

- Monitoring: voltage, current and temperature detection of both single cells and battery system.
- Protection and Alarm: protection and alarm when overvoltage, under voltage, over current, over temperature or under temperature occurs. See Appendix I for the details.
- Report: report all alarm and status data to PCS.
- Series connection: support two to ten packs in Series connection.
- Power failure triggered by fault: 10 minutes after the battery system and PCS communication is disconnected or 15 minutes after undervoltage protection.

When installing or using a battery system, the safety information contained in this section must always be followed. For safety reasons, it is the installer's responsibility to be familiar with this manual and all warnings before installation.

2.1 Basic security

The battery system has been designed and tested in accordance with strict rules with international safety certification requirements. Before any installation or use of the battery system, please read all safety instructions carefully and always follow the relevant rules. Growatt is not responsible for any consequences resulting from violation of the following regulations:

- Damage occurred during transportation.
- Incorrect transportation, storage, installation and use, or customer fails to convey the correct information about transportation, storage, installation and use to terminal customers.
- Non-professional installation.
- Failure to obey the rules of this operation instructions and safety precautions in this document.
- Unauthorized modifications or removal of the software package.
- The product's tamper label is damaged or the product lacks any parts (except authorized disassembly parts).
- Operation in extreme environments which are not allowed in this document .
- Repair, disassemble, or change packs without authorization and cause failure.
- Damage to shell labels or modifies date of production.
- Packs fail to be charge for more than six months.
- Damages due to force majeure (such as lightning, earthquakes, fire, and storms).
- Warranty expiration.

2.2 Safety Precautions

2.2.1 Environment requirements

- Do not expose the battery to temperature above 50°C or heat sources.
- Do not install or use the battery in wet locations, moisture, corrosive gases or liquids, such as bathroom.
- Do not expose the battery to direct sunlight for extended periods of time.
- Place battery in safe place away from children and animals.
- Battery power terminals shall not touch conductive objects such as wires.
- Do not dispose the batteries in fire, which may cause an explosion.
- The battery system shall not come in contact with liquids.

2.2.2 Operation Precautions

- Do not touch the battery system with wet hands.
- Do not disassemble the battery system without permission.
- Do not crush, drop or pierce the battery pack and high voltage controller.
- Dispose the batteries according to local safety regulations.
- Store and recharge battery in accordance with this manual.
- Ensure the connection of ground wire reliable.
- Remove all metal objects such as watches and rings that could cause a short-circuit before installation, replacement and maintenance.
- The pack shall be repaired, replaced or maintained by skilled personal that has been recognized.
- When storing or handling batteries ,do not stack batteries without package.
- Do not broke the battery, the released electrolyte may be toxic and is harmful to skin and eyes.
- Packaged batteries should not be stacked more than specified number stipulated on the packing case.
- Do not use damaged, failed or deformed batteries, which may lead to high temperature or even dangerous accidents. Continued operation of damaged battery may result in electrical shock, fire or even worse.

2.3 Warning Labels

| Symbols | Description |
|---------|---|
| | Do not dispose in trash |
| | Lithium ion battery can be recycled |
| | Certification in European union area |
| | Electric shock hazard |
| | Explosive gas |
| | May leak corrosive electrolyte |
| | Heavy enough to cause severe injury |
| | Keep the Pack away from children |
| | Make sure the battery polarity well connected |
| | Do not expose to fire |
| | Operate as the Manual |

| | |
|--------------------------------------|---------------|
| Lithium Ion Battery | |
| Model | ARK 2.5H-A1 |
| Nominal Voltage | 51.2V |
| Nominal/Rated Capacity | 50Ah/45Ah |
| Nominal/Rated Energy | 2560Wh/2300Wh |
| Rated Current | 25A |
| Ingress Protection | IP 65 |
| Operating Ambient Temperature | -10°C ~ +50°C |
| Made In China | |

Fig 2.1: Nameplate

WARNING

- Do not disassemble or alter the PACK to avoid heat, explosion or fire.
- Do not use the PACK beyond specific conditions. It might cause heat generation, damage, or deterioration of its performance.
- Do not throw, drop, hit, drive a nail in, stamp on the PACK. It may cause heat generation, explosion, or fire.
- In case of electrolyte leakage, keep leaked electrolyte away from contact with eyes or skin. Immediately clean with water and seek help from a doctor.
- Do not put the PACK into a fire. Do not use it or leave it on a place near fire, heaters, or high temperature sources. It may cause over temperature, explosion or fire.
- Do not submerge the PACK in water, or wet the product. It may cause heat generation, explosion, or fire.
- Do not reversely connect the PACK positive(+)and negative(-)terminal.
- Do not short circuit by letting the PACK terminals(+and -)contact a wire or any metal.
- The unit is heavy enough to cause severe injury.
- Keep out of reach of children or animals.

Fig 2.2: Label

| | |
|--|--|
| ARK High Voltage Battery System | |
| System Model/ Nominal Voltage/ Nominal Energy/ Rated Energy | <input type="checkbox"/> ARK 5.1H-A1/102.4V/ 5.12kWh/4.6kWh <input type="checkbox"/> ARK 7.6H-A1/153.6V/ 7.68kWh/6.9kWh <input type="checkbox"/> ARK 10.2H-A1/204.8V/ 10.24kWh/9.2kWh <input type="checkbox"/> ARK 12.8H-A1/256.0V/ 12.80kWh/11.5kWh <input type="checkbox"/> ARK 15.3H-A1/307.2V/ 15.36kWh/13.8kWh <input type="checkbox"/> ARK 17.9H-A1/358.4V/ 17.92kWh/16.1kWh <input type="checkbox"/> ARK 20.4H-A1/409.6V/ 20.48kWh/18.4kWh <input type="checkbox"/> ARK 23.0H-A1/460.8V/ 23.04kWh/20.7kWh <input type="checkbox"/> ARK 25.6H-A1/512.0V/ 25.6kWh/23.04kWh |
| High Voltage Controller Model | HVC 60050-A1 |
| Protective Class | I |
| Rated Current | 25A |
| Nominal/Rated Capacity | 50Ah/45Ah |
| Ingress Protection | IP65 |
| Operating Ambient Temperature | -10°C ~ +50°C |
| Made In China | |

Fig 2.3: Nameplate

Notice

The performance will be limited when the temperature is below 0°C.

Storage and Transportation 3

2.4 Emergency Responses

Manufacturer takes foreseeable risk scenarios into consideration and is designed to reduce hazards and dangers. However, if the following situation occurs, do as below:

| Situation Occurs | Description and action need |
|------------------|---|
| Leakage | Avoid touch of leaking liquid or gas. If you touch the leaking electrolyte, do as below immediately. Inhalation: Evacuate the contaminated area, and seek medical help. Eye contact: Rinse eyes with flowing water for 15 minutes, and seek medical help. Skin contact: Rinse contacted area thoroughly with soap and water, and seek medical help. Ingestion: Vomiting, and seek medical help. |
| On fire | It's hard for battery system ignite spontaneously. If the battery has caught a fire, do not try to extinguish the fire but evacuate people immediately. |
| Wet Packs | If the battery system is soaked or submerged in water, do not access it. Contact Growatt or distributors immediately for technical assistance. |
| Damaged shell | Damage to the shell is very dangerous, so special attention must be paid. They are no longer suitable for use and may be dangerous to personnel. If the battery case is damaged, please stop using it and contact Growatt or a distributor. |

3.1 Storage Requirements

- Place the product follow the identification on the packing case during storage.
- Do not put the product upside down or sidelong.
- The defective product needs to be separated from other product.
- The storage environment requirements are as follows:
 - Place the product in a dry, clean and well ventilated place.
 - The storage temperature for a short week (7 days) is between -30°C to 50°C.
 - If you store the product over a long period of six months, the storage temperature is between -20°C to 45°C, relative humidity: 5%~95%RH.
 - Place the product away from corrosive and organic substances (including gas exposure).
 - Free from direct exposure to sunlight and rain.
 - At least two meters away from heat sources (such as a radiator) .
 - Free from exposure to intensive infrared radiation.
- If the battery is stored for more than six months, the battery pack shall be recharged to 40% SOC every six months using a charger.



Notice



If not follow the above instructions for long-term storage, the battery cycle life will be reduced or even damaged.

3.2 Transportation Requirement

Battery pack has been certified in UN38.3 (Section 38.3 of the sixth Revised Edition of the Recommendations on the Transport of Dangerous Goods: Manual of Tests and Criteria) and SN/T 0370.2-2009 (Part 2: Performance Test of the Rules for the Inspection of Packaging for Exporting Dangerous Goods). Battery pack is classified as category 9 dangerous goods.

- The battery pack shall not be transported with other inflammable, explosive or toxic substances.
- Ensure the original Package and label complete and recognizable.
- Prohibit direct exposure to sunlight, rain, condensing water caused by temperature difference and mechanical damages.
- Prohibit to pile up more than six battery pack.
- There will be a drop in capacity during transportation and storage.
- Transportation temperature is between -20°C to 45°C, relative humidity: 5%~95%RH.

4 Installation

| | |
|---|---|
|  <p>WARNING</p> | <ul style="list-style-type: none"> ➤ The installation and use of batteries involve a lot of expertise. Therefore, please ensure that technicians have obtained relevant technical certificates before operation. ➤ Ensure to read the Guidance before installation in order to understand product information and safety cautions. ➤ Operators should be well trained technicians and fully understand the whole photovoltaic system, grid network, battery system, working principle and national regional standards. ➤ Installers must use insulating tools and wear safety equipment. ➤ Device damages caused by failure to comply with storage, transportation, installation and use requirements specified in Guidance are not covered by Warranty. ➤ Do not install or use battery near explosive or inflammable substances. ➤ Use battery in well-ventilated environment with temperature ranging from -10°C to 50°C. ➤ Maintain a minimum level of dust and dirt in the environment. ➤ Do not install battery in highly humid area such as bathroom. ➤ Please make sure that all battery pack connected in series are from the same batch, the same model and the same manufacturer. Do not mix old batteries with new batteries. A battery pack that does not exceed 200 cycles is defined as a new battery. |
|  <p>Notice</p> | <ul style="list-style-type: none"> ➤ Before installing in series, make sure that the voltage difference of the battery pack must be less than or equal to 0.5V. ➤ When installing the batteries, we recommend that the manufacturing date of batteries in the same system should be within 3 months. The manufacturing date of batteries can be interpreted through bar code (refer to Appendix 1). |

4.1 Installation environment

➤ The battery system can be installed indoors or outdoors. The following conditions are allowed:

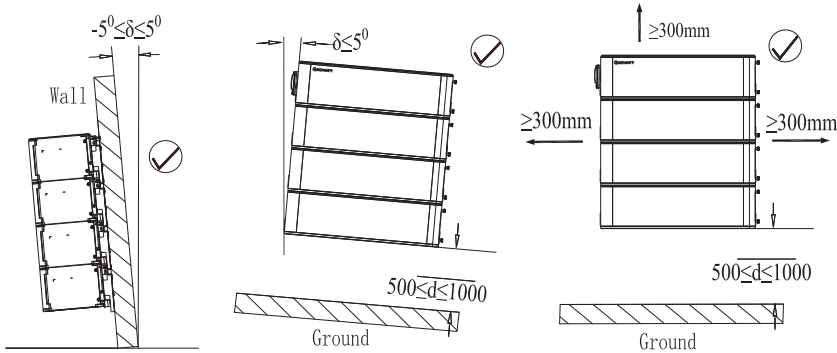


Fig 4.1: Acceptable wall mounted installation

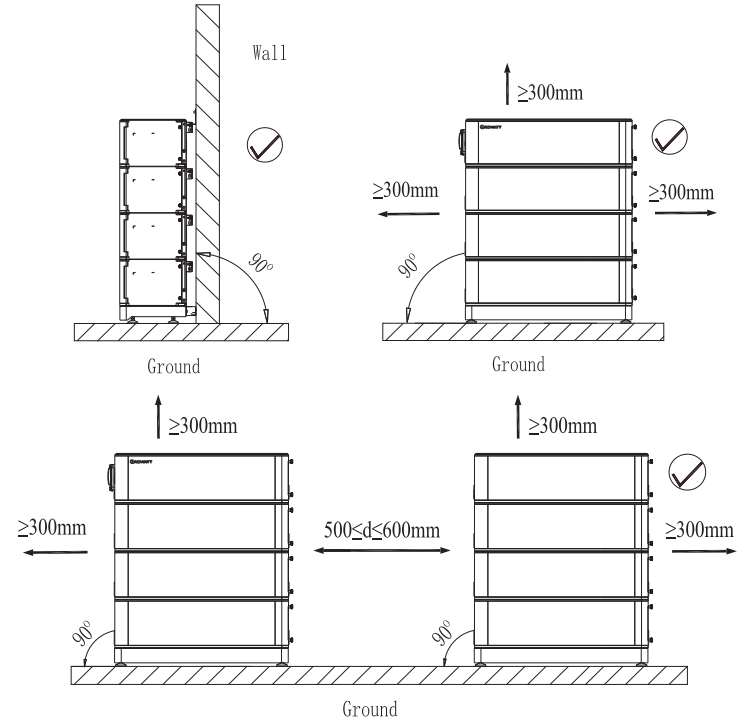



Fig 4.2: Acceptable floor standing installation

| | |
|--|---|
|  <p>WARNING</p> | <p>Do not place the battery pack upside down.</p> |
|--|---|

➤ When installing outdoors, it is necessary to install sunshades and rain shelters to avoid direct exposure to sunlight and rain.

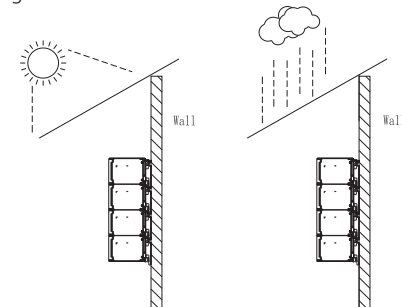
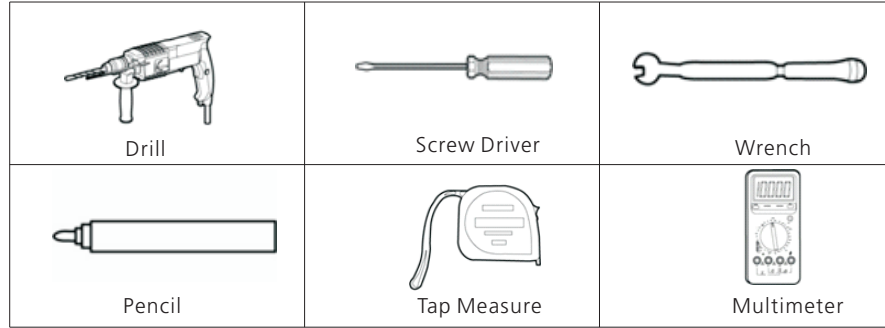


Fig 4.3: Sunshades and rain shelters

4.2 Installation Required Tools

The following tools are required to install the battery system:



It is recommended to wear the following safety gear when dealing with the battery system.



4.3 Installation Procedures

4.3.1 Pre-installation Check

- Check the PACK package before open it. If any abnormality is detected, do not open the Package and contact your distributor.
- Check the quantity of all parts inside according to the package list. If there is any part missing or damaged, please contact your distributor.

4.3.1.1 Check the list of HVC 60050-A1

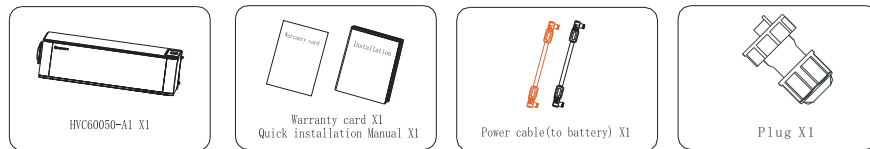


Fig 4.4: components and parts of HVC 60050-A1

4.3.1.2 Check the list of ARK 2.5H-A1

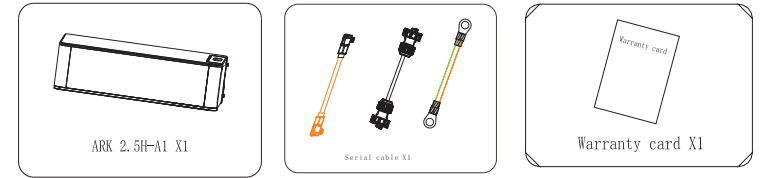


Fig 4.5: components and parts ARK 2.5H-A1

4.3.1.3 Check the battery base and wall bracket

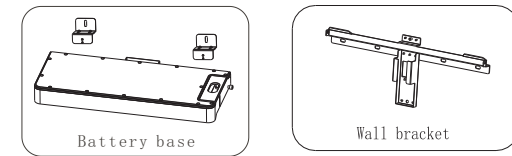


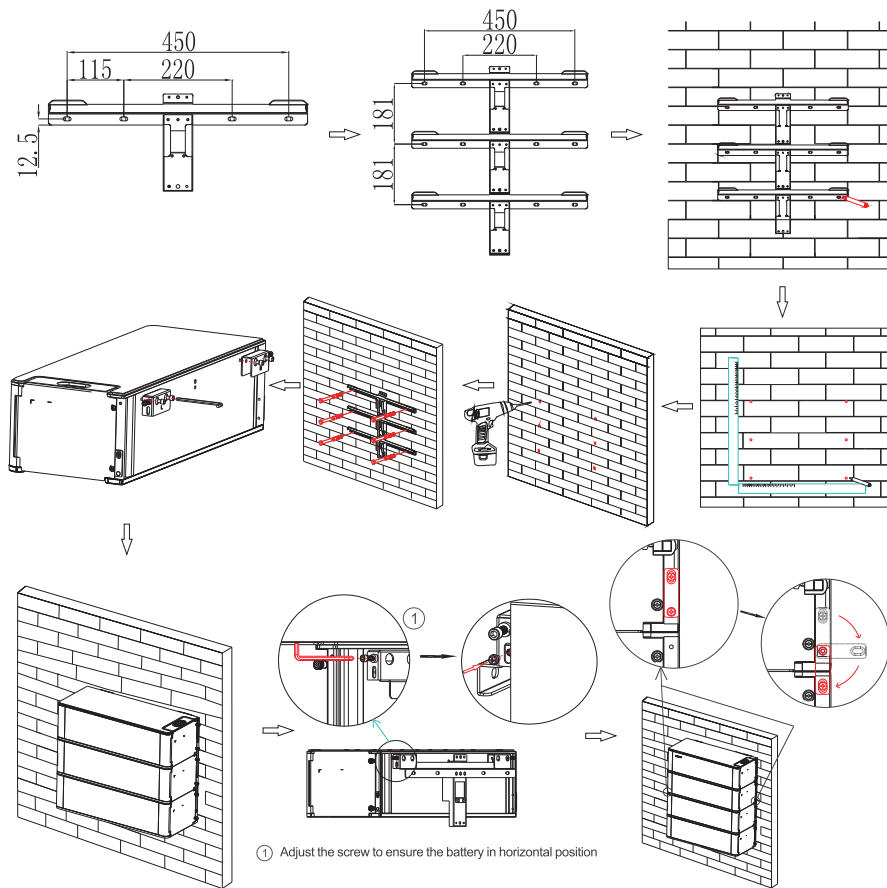
Fig 4.6: Optional installation accessories



Notice

- The high voltage controller (HVC 60050-A1) and the battery pack (ARK 2.5H-A1) are standard accessories, please be sure to purchase both, a battery system only needs a high voltage controller (HVC 60050-A1), battery pack (ARK 2.5H-A1) You can freely match the number within 2 to 10 .
- The battery base is only used for floor installation, and the wall bracket is only used for wall installation .The battery base and wall bracket are optional accessory, not standard accessory.
- You need to separately purchase the connection cable from the high voltage controller (HVC 60050-A1) to the PCS.
- If you want to install the same battery system in two lines, you need to purchase a extension cable separately for connection.
- The installation method can be selected wall Mounted installation or floor standing installation as required.

4.3.2 Wall Mounted Installation



- Step 1: Please make sure that the weight capacity of the wall should exceed 150kg.
- Step 2: Put bracket on wall and mark drilling spots. Keep a minimum distance of 300mm between the wall and bracket; a minimum distance of 500mm between bracket and ground.
- Step 3: Choose an alloy drill with a diameter of 8mm, and drill at least 60mm mounting holes in the wall. Clean the soil and insert the expansion tube into the hole, then screw in the screw to fix the wall mount.
- Step 4: Fix the battery on the wall mount, make sure that the battery will not shake, and then lock the safety screw.



Notice

- The number of wall-mounted installations should not exceed 4 (including high voltage controllers).
- If there are more than 4, please install them in two lines, and the spacing should be greater than or equal to 300mm.

4.3.3 Floor Standing Installation

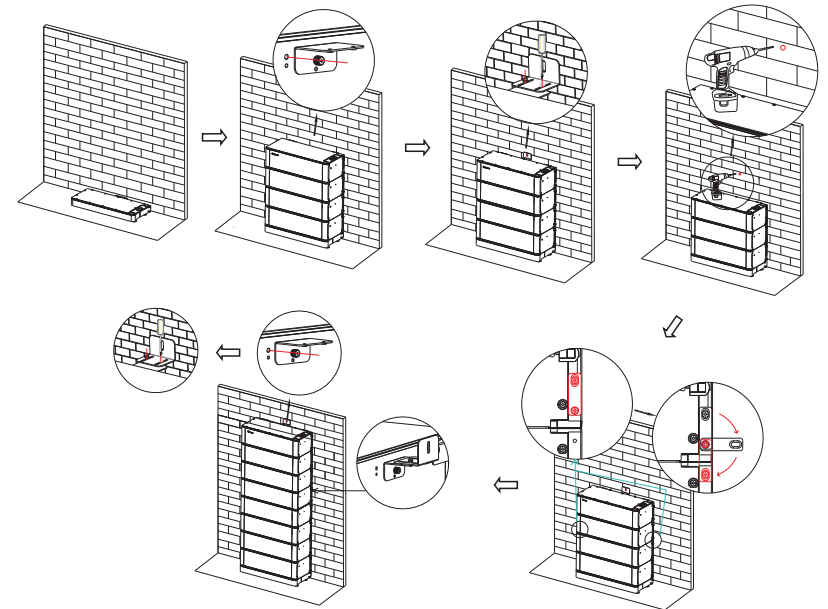


Fig 4.8: Floor standing installation process

- Step 1: Place the battery base in the area to be installed, and mark the position of the installation hole with a marker. The minimum distance between the wall and the battery is 300mm.
- Step 2: Select an alloy drill with a diameter of 10mm and drill a mounting hole at least 60mm deep in the wall. Insert the expansion pipe into the hole and screw in the screws to secure the anti roll over plate.
- Step 3: Stack the battery on the base, connect the fixed connecting strip between the battery packs.
- Step 4: Make sure the battery will not shake, and then lock the safety screw.



Notice

- If more than 4 batteries are used, base mounting is recommended.
- For floor installation with base, the maximum stack number of the battery is ten. But if the battery number is greater than six, we recommend stacking them in two lines.
- The safety part needs to be installed at the top battery, however, once the number of the battery pack is higher than 7, one more safety part should be installed in the middle battery which is shown the last step.

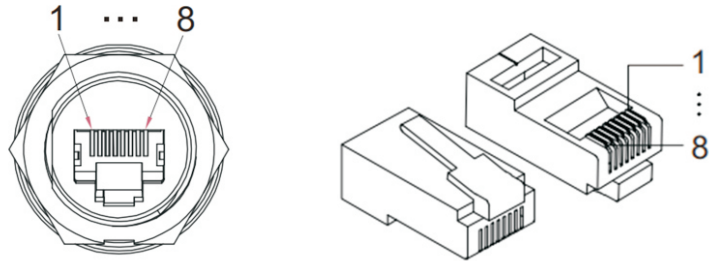
4.4 Electrical Connection



Notice

- Do not forget wear ESD wrist strap and gloves, safety gloves and goggles.

4.4.1 Definition of RJ45 communication port pin



4.4.1.1 Communication port definition of HVC 60050-A1

| No. | PCS | LINK_IN | LINK_OUT | BMU |
|-----|---------|----------|----------|------------|
| 1 | RS485_B | Add_in | Add_out | \ |
| 2 | RS485_A | Master | GND | \ |
| 3 | GND | GND | Slaver | IMA_isoSPI |
| 4 | CAN_H | GND | GND | IPA_isoSPI |
| 5 | CAN_L | CANH | CANH | IMB_isoSPI |
| 6 | GND | CANL | CANL | IPB_isoSPI |
| 7 | WAKE- | GND | GND | \ |
| 8 | WAKE+ | Power_ON | Power_ON | \ |

4.4.1.2 Communication port definition of HVC 60050-A1

| No. | LINK 0 | LINK 1 |
|-----|------------|------------|
| 1 | \ | \ |
| 2 | \ | \ |
| 3 | \ | \ |
| 4 | \ | \ |
| 5 | IMA_isoSPI | IMB_isoSPI |
| 6 | IPA_isoSPI | IPB_isoSPI |
| 7 | \ | \ |
| 8 | \ | \ |

4.4.2 Definition of RJ45 communication port pin



Notice

- When connecting the power line, it must be the same color terminal to connect, otherwise there may be dangers such as short circuit.
- A DC circuit breaker has been installed in the high voltage controller. If you want to install a DC circuit breaker between the battery system and the PCS, you need to purchase it yourself according to the following specifications:
 - a. Voltage: 750Vdc/1000Vdc
 - b. Current: 63A

4.4.2.1 System connection diagram

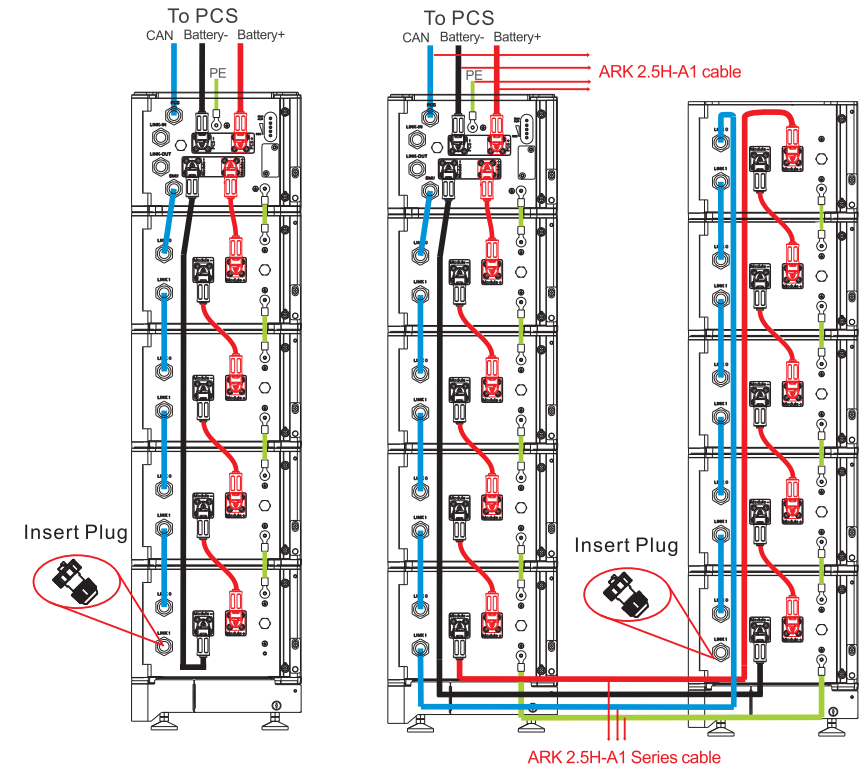


Fig 4.9: Single line installation

Fig 4.10: Two lines installation

Note:

- The battery is not allowed to be installed in the running state. Turn off the system power before installation.
- To ensure system security, do not forget to install ground wire.
- Don't forget to connect the communication plug of the last battery pack, otherwise it will cause system failure.
- When installing in two rows, please purchase the extended serial cable.
- The cable connecting PCS can be purchased from GROWATT.

4.4.2.2 Electrical wiring connection

A. HVC 60050-A1(High Voltage Controller) wiring

Step 1: Insert the power cable into the corresponding port, then there is click sound indicating the connection is ok.

Step 2: Insert the communication cable into the "PCS" port and "BMU" port, and then tighten the communication terminal clockwise. ("PCS" port connects to the PCS. "BMU" port connects to the adjacent battery pack.)

Step 3: Connect to the PCS and adjacent battery pack using a 6mm² grounding wire through grounding terminal.

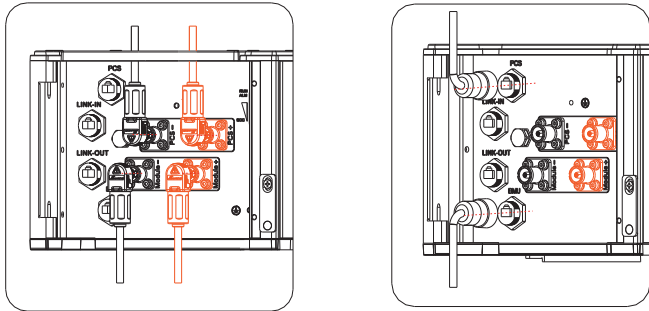


Fig 4.11: HVC60050-A1 Electrical wiring connection diagram



Notice

- For a single battery system, the "Link-in" and "Link out" port of the High Voltage Controller don't need to be connected, they are only used for parallel connection of the battery systems.
- Please pay attention to the connector color when connection the power line. Only the same color of the connector could be connected together.
- To ensure system security, do not forget to install ground wire.

B. ARK 2.5H-A1(Battery module) wiring

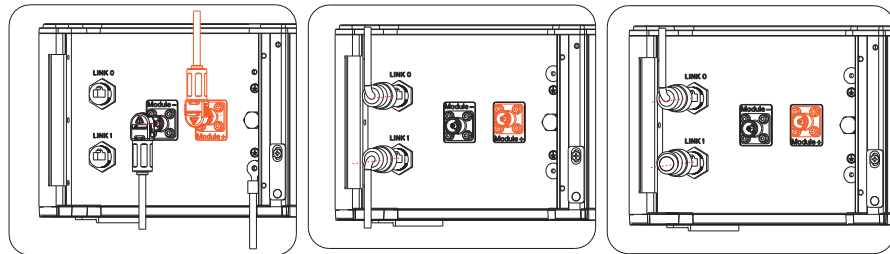


Fig 4.12: ARK 2.5H-A1 Electrical wiring connection diagram

Step 1: Insert the power cable into the corresponding port, then there is click sound indicating the connection is ok.

Step 2: Insert the communication cable into the "Link0" and "Link1" port, and then tighten the communication terminal clockwise. ("Link0" connects to "Link1" of the previous module. For the battery adjacent to the high voltage controller, "link0" is connected to the "BMU" of the high voltage controller. "Link1" connects to "Link0" of the next module.)

Step 3: Insert a plug into the "Link1" port of the last battery module. The plug is an annex of HVC 60050-A1 (high voltage controller).

Step 4: Connect to adjacent battery pack using a 6mm² grounding wire through grounding terminal.



Notice

- The battery module furthest from the HVC 60050-A1(high voltage controller) is defined as the last battery module.
- Please pay attention to the connector color when connecting the power line. Only the same color of the connector could be connected together.
- The power lines between the battery modules are connected in series. Be careful not to short-circuit the battery modules during the connection process.

5 Power on/off Battery system

Notice

- The installation and use of batteries need to be operated by professional technicians.
- Do not contact any positions with potential difference.
- Prohibition sign should be hung on the battery: " Non - professionals, do not touch.
- If any abnormalities occur during the startup phase, power off the system immediately. After problem confirmed, proceed again.
- Make sure the inverter is turned off before checking the battery system.

5.1 Power on Battery system

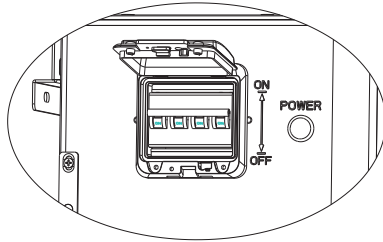


Fig 5.1

➤ Before turning on the battery, please check if the cable is properly connected.

| Power on the battery system by pressing power button($t > 5S$) | | |
|--|---|--|
| Serial | Procedures | Acceptation criteria |
| 1 | Connect the battery and PCS | Make sure the wiring harnesses are well connected |
| 2 | Close the breaker of the battery system | Make sure the breaker is ON |
| 3 | Press POWER button for 5 seconds. Observe the LED indication on panel.. | 1. If both RUN/ALM and SOC lights turn on normally, system is powered on successfully. 2. If RUN/ALM light turns red, there is a failure and should solve it before power on again. |

5.2 Power off

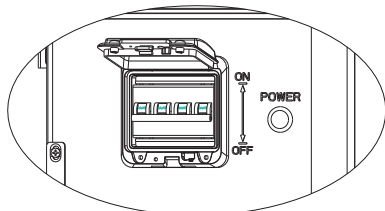


Fig 5.2

Turn the DC breaker of the HVC 60050-A1(High Voltage Controller) to "Off" to turn off the entire battery system.

Maintenance Guide 6

6.1 Preparation

Before maintenance, please make sure that the battery system is powered off and the DC circuit breaker is off.

6.2 Battery pack or high voltage controller replacement

- Wear safety gloves.
- Close the breaker and power off the battery system.
- Disconnect power lines and CAN communication lines of the battery system.
- Uninstall the safety screws on both sides of the battery pack or high voltage controller. Lift up the battery pack or high voltage controller.
- Put the battery pack or high voltage controller into the packing box according to the repair procedure and transport the battery pack or high voltage controller to the designated repair site.
- Install new battery pack or high voltage controller based on procedure specified in Section 4.

Notice

- Before replacing the battery, use the charger to charge the new battery and the existing battery to full (SOC 100%).
- If the battery is not used, it is recommended to charge and discharge the battery every 3 months to activate the chemical characteristics, and the maximum interval shall not exceed 6 months.

6.3 System Failure Information List and Troubleshooting Suggestions

| Error Indication | Error description | Error cause | Suggested actions |
|-----------------------------------|------------------------------------|---|--|
| ALM (ALM Light Flickers) | Discharge under voltage protection | Single cell voltage below the threshold for under-voltage protection. | There is over discharge risk. User should stop discharging and arrange recharge |
| | Charge over voltage protection | Single cell voltage exceeding threshold for protection threshold. | 1. There is no safety threat; 2. User should stop charging. Wait for the battery system to automatically resolve the fault |
| | External CAN Communication failure | Communication loss between PCS and battery system. | 1. There is no safety threat and user should stop using battery. 2. Check if PCS and battery communication terminal is well connected. 3. If PCS and battery system cannot communicate when the communication wire is confirmed well connected, user should contact installer to repair battery. |

Technical Specifications7

| | | | |
|-----------------|-------------------------------------|---|---|
| | Interior Communication failure | Communication loss between two packs | 1.Check whether the communication line between the battery pack and the battery pack is connected OK; 2.Check whether the communication line between the high voltage controller and the battery pack is connected OK. |
| | High temperature protection | The temperature exceeds the protection value | It is dangerous, please stop using the battery immediately, wait for the battery temperature to drop, the fault will be automatically resolved. |
| | Low temperature protection | The temperature is below the protection value | No safety risk, wait for the temperature to rise, the fault will be automatically resolved. |
| ●(ALM Light on) | Discharge short circuit | External short circuit of battery system | There is safety risk and user should stop using battery. User should contact installer to repair PCS and battery. |
| | Precharge short circuit | | |
| | Precharge overtime | | |
| | Voltage sampling anomaly protection | BMS Voltage sampling failure | There is safety risk and user should stop using battery. User should contact installer to repair battery. |
| | Current sampling fault | BMS current sampling failure | |
| | Main circuit fault | BMS main power circuit failure | There is safety risk and user should stop using battery. User should contact installer to repair battery. |

7.1 System Data

| System Model | ARK 5.1H-A1 | ARK 7.6H-A1 | ARK 10.2H-A1 | ARK 12.8H-A1 | ARK 15.3H-A1 |
|-------------------------------|--|---------------|---------------|--------------|---------------|
| Nominal energy | 5.12kWh | 7.68kWh | 10.24kWh | 12.8kWh | 15.36kWh |
| Rated energy | 4.608kWh | 6.912kWh | 9.216kWh | 11.52kWh | 13.82kWh |
| Rated Power | 2.56kw | 3.84kw | 5.12kw | 6.4kw | 7.68kw |
| Max Power | 4.915kw | 7.372kw | 9.83kw | 12.288kw | 14.745kw |
| Nominal capacity | 50Ah(@25°C) | | | | |
| Rated capacity | 45Ah(@25°C) | | | | |
| Nominal voltage | 102.4V | 153.6V | 204.8V | 256V | 307.2V |
| Voltage range | 94.4V~113.6V | 141.6V~170.4V | 188.8V~227.2V | 236V-284V | 283.2V~340.8V |
| Dimensions (mm) | 650/260/555 | 650/260/740 | 650/260/925 | 650/260/1110 | 650/260/1295 |
| Weight | 64kg | 91kg | 118kg | 45kg | 172kg |
| Rated current | 25A(@25°C) | | | | |
| Max current | 48A(@25°C) | | | | |
| Fault current | 49A(@25°C) | | | | |
| DoD | 90% | | | | |
| Operating ambient temperature | -10°C~50°C | | | | |
| RTE | ≥95% | | | | |
| Battery pack in series | Maximum support 10 units in series, series voltage difference $\Delta V \leq 0.5V$ | | | | |
| Humidity | 5%~95% | | | | |
| Storage temperature | -30°C~50°C/7 days; -20°C~45°C/6 months; 95%RH | | | | |
| cooling method | Natural cooling | | | | |
| Installation | Wall-mounted/floor stacking installation | | | | |
| Altitude | ≤2000m | | | | |
| communication method | CAN (to PCS) | | | | |
| Certified product | IEC62619 / RCM+ CEC /CE | | | | |
| Transport certification | UN38.3 | | | | |
| IP rating | IP65 | | | | |
| Environmental requirements | RoHS, Reach | | | | |
| Battery System | Secondary Li-ion Battery System | | | | |
| Warranty[1] | 10 years | | | | |

[1]Conditions apply. Refer to GROWATT Warranty Card.

| System Model | ARK 17.9H-A1 | ARK 20.4H-A1 | ARK 23.0H-A1 | ARK 25.6H-A1 |
|-------------------------------|--|---------------|---------------|--------------|
| Nominal energy | 17.92kWh | 20.48kWh | 23.04kWh | 25.6kWh |
| Rated energy | 16.13kWh | 18.43kWh | 20.74kWh | 23.04kWh |
| Rated Power | 8.96kw | 10.24kw | 11.52kw | 12.8kw |
| Max Power | 17.203kw | 19.66kw | 22.118kw | 24.576kw |
| Nominal capacity | 50Ah(@25°C) | | | |
| Rated capacity | 45Ah(@25°C) | | | |
| Nominal voltage | 358.4V | 409.6V | 460.8V | 512V |
| Voltage range | 330.4V~397.6V | 377.6V~454.4V | 424.8V~511.2V | 472V~568V |
| Dimensions (mm) | 650/260/1480 | 650/260/1665 | 650/260/1850 | 650/260/2035 |
| Weight | 199kg | 226kg | 253kg | 280kg |
| Rated current | 25A(@25°C) | | | |
| Max current | 48A(@25°C) | | | |
| Fault current | 49A(@25°C) | | | |
| DoD | 90% | | | |
| Operating ambient temperature | -10°C~50°C | | | |
| RTE | ≥95% | | | |
| Battery pack in series | Maximum support 10 units in series, series voltage difference $\Delta V \leq 0.5V$ | | | |
| Humidity | 5%~95% | | | |
| Storage temperature | -30°C~50°C/7 days; -20°C~45°C/6 months; 95%RH | | | |
| cooling method | Natural cooling | | | |
| Installation | Wall-mounted/floor stacking installation | | | |
| Altitude | ≤2000m | | | |
| communication method | CAN (to PCS) | | | |
| Certified product | IEC62619 / RCM+ CEC /CE | | | |
| Transport certification | UN38.3 | | | |
| IP rating | IP65 | | | |
| Environmental requirements | RoHS, Reach | | | |
| Battery System | Secondary Li-ion Battery System | | | |
| Warranty[1] | 10 years | | | |

[1]Conditions apply. Refer to GROWATT Warranty Card.



Notice

- Method for calculating rated capacity:
Rated capacity of the measured module: 45 Ah
Number of modules connected in series: 2~10
Calculated rated capacity (Ah) = 45 Ah * 1 = 45Ah
- The performance will be limited when the temperature is below 0°C.

7.2 Battery System designation

| Model | Battery designation | Recommended charge instructions |
|--------------|---|---|
| ARK 5.1H-A1 | IFpP/41/150/102/[(1P16S)2S]M/-10+50/90 | 1.Constant current 25A charging to 108V; 2.Constant current 10A charging to 110V; 3.Constant current 2A charging to 110V; |
| ARK 7.6H-A1 | IFpP/41/150/102/[(1P16S)3S]M/-10+50/90 | 1.Constant current 25A charging to 162V; 2.Constant current 10A charging to 165V; 3.Constant current 2A charging to 165V; |
| ARK 10.2H-A1 | IFpP/41/150/102/[(1P16S)4S]M/-10+50/90 | 1.Constant current 25A charging to 216V; 2.Constant current 10A charging to 220V; 3.Constant current 2A charging to 220V; |
| ARK 12.8H-A1 | IFpP/41/150/102/[(1P16S)5S]M/-10+50/90 | 1.Constant current 25A charging to 270V; 2.Constant current 10A charging to 275V; 3.Constant current 2A charging to 275V; |
| ARK 15.3H-A1 | IFpP/41/150/102/[(1P16S)6S]M/-10+50/90 | 1.Constant current 25A charging to 324V; 2.Constant current 10A charging to 330V; 3.Constant current 2A charging to 330V; |
| ARK 17.9H-A1 | IFpP/41/150/102/[(1P16S)7S]M/-10+50/90 | 1.Constant current 25A charging to 378V; 2.Constant current 10A charging to 385V; 3.Constant current 2A charging to 385V; |
| ARK 20.4H-A1 | IFpP/41/150/102/[(1P16S)8S]M/-10+50/90 | 1.Constant current 25A charging to 432V; 2.Constant current 10A charging to 440V; 3.Constant current 2A charging to 440V; |
| ARK 23.0H-A1 | IFpP/41/150/102/[(1P16S)9S]M/-10+50/90 | 1.Constant current 25A charging to 486V; 2.Constant current 10A charging to 495V; 3.Constant current 2A charging to 495V; |
| ARK 25.6H-A1 | IFpP/41/150/102/[(1P16S)10S]M/-10+50/90 | 1.Constant current 25A charging to 540V; 2.Constant current 10A charging to 550V; 3.Constant current 2A charging to 550V; |

7.3 HVC 60050-A1

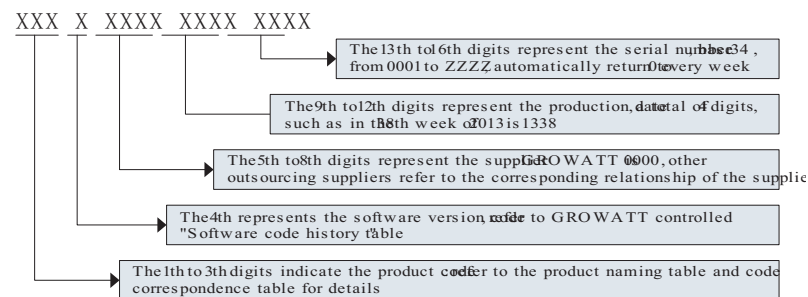
| No. | Items | Specification |
|-----|-------------------------------|------------------------|
| 1 | Model | HVC 60050-A1 |
| 2 | Input/output voltage range | 90~585V |
| 3 | Rated current | 25A |
| 4 | Operating ambient temperature | -10~50 C |
| 5 | IP rating | IP65 |
| 6 | Warranty | ≥10 years |
| 7 | communication method | CAN2.0 |
| 8 | Dimensions (W/D/H) | W650*D260*H185 mm ±2mm |
| 9 | Weight | 8.5±1kg |
| 10 | Certification | CE-EMC |
| 11 | Environmental requirements | RoHS |

7.4 ARK 2.5H-A1

| No. | Items | Specification |
|-----|-------------------------------|---|
| 1 | Battery pack Module | ARK 2.5H-A1 |
| 2 | Nominal Capacity/Energy | 50Ah/2.56kWh |
| 3 | Rated Capacity/Energy | 45Ah/2.3 kWh |
| 4 | Nominal Voltage | 51.2V |
| 5 | Operating Voltage | 47.2 - 56.8V |
| 6 | Rated current(25 C) | 25A |
| 7 | Battery Type | Cobalt Free Lithium Iron Phosphate (LFP) |
| 8 | Operating ambient temperature | -10~50 C |
| 9 | Storage conditions | -30 C~50 C/7 days; -20 C~45 C /6 months; 95%RH |
| 10 | Cooling | Natural cooling |
| 11 | Dimension (W/D/H) | W650*D260*H185 mm ±2mm |
| 12 | Weight | 27±1kg |
| 13 | Installation | Wall-mounted installation/floor standing installation |
| 14 | Warranty | 10 Years |
| 15 | Ingress protection | IP65 |
| 16 | Cell safety certification | IEC62619/UL1642 |
| 17 | safety certification | IEC62619/CE/RCM/ CEC |
| 18 | Transportation test standard | UN38.3 |
| 19 | Environmental requirements | RoHS |
| 20 | Battery designation | IFpP/41/150/102/[1P16S]M/-10+50/90 |

➤ Barcode coding rules

Bar code number position:



1. The 1th to 3th digits indicate the product code : refer to the product naming table and code correspondence table for details.
2. The 4th represents the software version code , refer to GROWATT controlled "Software code history table" .
3. The 5th to 8th digits represent the supplier code. GROWATT is 0000, the supplier D is 0001, and other outsourced suppliers are 0002/0003... , and so on, please refer to the corresponding relationship table of the supplier code.
4. The 9th to 12th digits represent the production date, which is represented by 4 digits, the year is represented by the first 2 digits, and the week is represented by the last 2 digits, for example, the 38th week of 2013 is 1338.
5. The 13th to 16th digits represent the serial number, 34 base , represented by 4 digits, and the characters 0 to Z are used. I and O in the letters are discarded.
For example, the product number is SD00.0002100, the product code is ARJ, the software version is 0, the supplier D is 0001, the production date is 21th week in 2021, and the first barcode of the work order is ARJ0000121210001.



Appendix II

LED indication Control Mechanism

| LED light definition | | | | | | | |
|----------------------|---|--|---------|---------|---------|---------|---|
| Status | Items | SOC indication | | | | RUN/ALM | Remark |
| | | LED1 | LED2 | LED3 | LED4 | LED5 | |
| Charge SOC | 0%-25% | ✱(t=1S) | | | | ● | RUN/ALM light on and one SOC lights flicker |
| | 26%-50% | ● | ✱(t=1S) | | | ● | |
| | 51%-75% | ● | ● | ✱(t=1S) | | ● | |
| | 76%-99% | ● | ● | ● | ✱(t=1S) | ● | |
| | 100% | ● | ● | ● | ● | ● | |
| Discharge SOC | 100%-76% | ● | ● | ● | ● | ● | |
| | 75%-51% | ● | ● | ● | | ● | |
| | 50%-26% | ● | ● | | | ● | |
| | 25%-5% | ● | | | | ● | |
| | 5%-0% | ● | | | | ✱(t=1S) | RUN/ALM light flicker |
| Idle | 100%-76% | ● | ● | ● | ● | ● | |
| | 75%-51% | ● | ● | ● | | ● | |
| | 50%-26% | ● | ● | | | ● | |
| | 25%-5% | ● | | | | ● | |
| | 5%-0% | ● | | | | ✱(t=1S) | RUN/ALM light flicker |
| Protection | Cell charge overvoltage alarm | LED1-LED4 indicates current remaining capacity | | | | ✱(t=1S) | RUN/ALM light flicker green |
| | Cell charge overvoltage protection | | | | | ✱(t=1S) | RUN/ALM light flicker green |
| | Cell discharge undervoltage alarm | | | | | ✱(t=1S) | RUN/ALM light flicker green |
| | Cell discharge undervoltage protection | | | | | ✱(t=1S) | RUN/ALM light flicker green |
| | Charge and discharge high temperature alarm | | | | | ✱(t=1S) | RUN/ALM light flicker green |

| | | |
|--|---------|-----------------------------|
| Charge and discharge high temperature protection | ✱(t=1S) | RUN/ALM light flicker green |
| Charge and discharge low temperature alarm | ✱(t=1S) | RUN/ALM light flicker green |
| Charge and discharge low temperature protection | ✱(t=1S) | RUN/ALM light flicker green |
| PACK charge overvoltage alarm | ✱(t=1S) | RUN/ALM light flicker green |
| PACK charge overvoltage protection | ✱(t=1S) | RUN/ALM light flicker green |
| PACK discharge undervoltage alarm | ✱(t=1S) | RUN/ALM light flicker green |
| PACK discharge undervoltage protection | ✱(t=1S) | RUN/ALM light flicker green |
| High temperature environment alarm | ✱(t=1S) | RUN/ALM light flicker green |
| High temperature environment protection | ✱(t=1S) | RUN/ALM light flicker green |
| Cell Large voltage difference alarm | ✱(t=1S) | RUN/ALM light flicker green |
| Cell Large voltage difference protection | ✱(t=1S) | RUN/ALM light flicker green |

| | | | | |
|------------------------------------|---|--|---------|-----------------------------|
| | Warning of high temperature difference of PACK module | | ✱(t=1S) | RUN/ALM light flicker green |
| Fault, personnel handling required | Discharge short circuit | SOC indicates current remaining capacity | ✱(t=1S) | RUN/ALM light flicker red |
| | Precharge short circuit | | ✱(t=1S) | RUN/ALM light flicker red |
| | Precharge overtime circuit | | ✱(t=1S) | RUN/ALM light flicker red |
| | External CAN communication failure | | ✱(t=1S) | RUN/ALM light flicker red |
| | Interior communication failure | | ✱(t=1S) | RUN/ALM light flicker red |
| | Voltage sampling anomaly protection | | ●(t=1S) | RUN/ALM light stays red |
| | Current sampling fault | | ●(t=1S) | RUN/ALM light stays red |
| | Main circuit fault | | ●(t=1S) | RUN/ALM light stays red |